

Access Control  
Video Surveillance  
Payroll  
Time Attendant  
Workforce Management

Enterprise-wide Deployment  
Real-time Communication  
Biometric Authentication



## Biometric and RFID web and cloud-based readers

*Hassle-free, easy to install*

*The Leading Web and Cloud-based, Biometric and RFID Smartcard Platform for Enterprise-Wide Solutions in ID Management*

The ACTatek Combination Unit is one of the most popular choices as a all-in-one access control, video surveillance, time attendant, payroll, security and work force management solutions.

Easy-to-use, with no software installation required, and a efficient network connection makes this a simple yet sophisticated enterprise-wide platform solution for many system-level software applications.

By combining biometric fingerprint, RFID smartcard, pin (keypad) and a CMOS camera, IT managers, security directors and HR will be able to select multiple ways for users to authenticate. A choice of smartcard readers is offered, enabling legacy card systems to be part of this new platform solution.

An IP65 certified product operating over the extended temperature range, this unit will continue to deliver even in extreme weather conditions.

### Five Modes of Authentication :

1. Fingerprint only
2. Smart Card only or Barcode only
3. Smart Card + Fingerprint or Barcode + Fingerprint
4. ID + Fingerprint, and
5. ID + PIN.

Add-ons available:

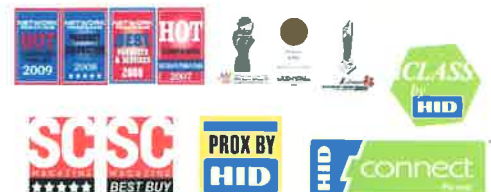
- Smart cards and fobs
- WiFi Adaptor
- Power Over Ethernet (PoE) splitter
- Mobile Battery Kit
- V200 GSM Gateway
- UPS



ACTatek3 Model: Smartcard / Fingerprint CMOS Camera + Keypad

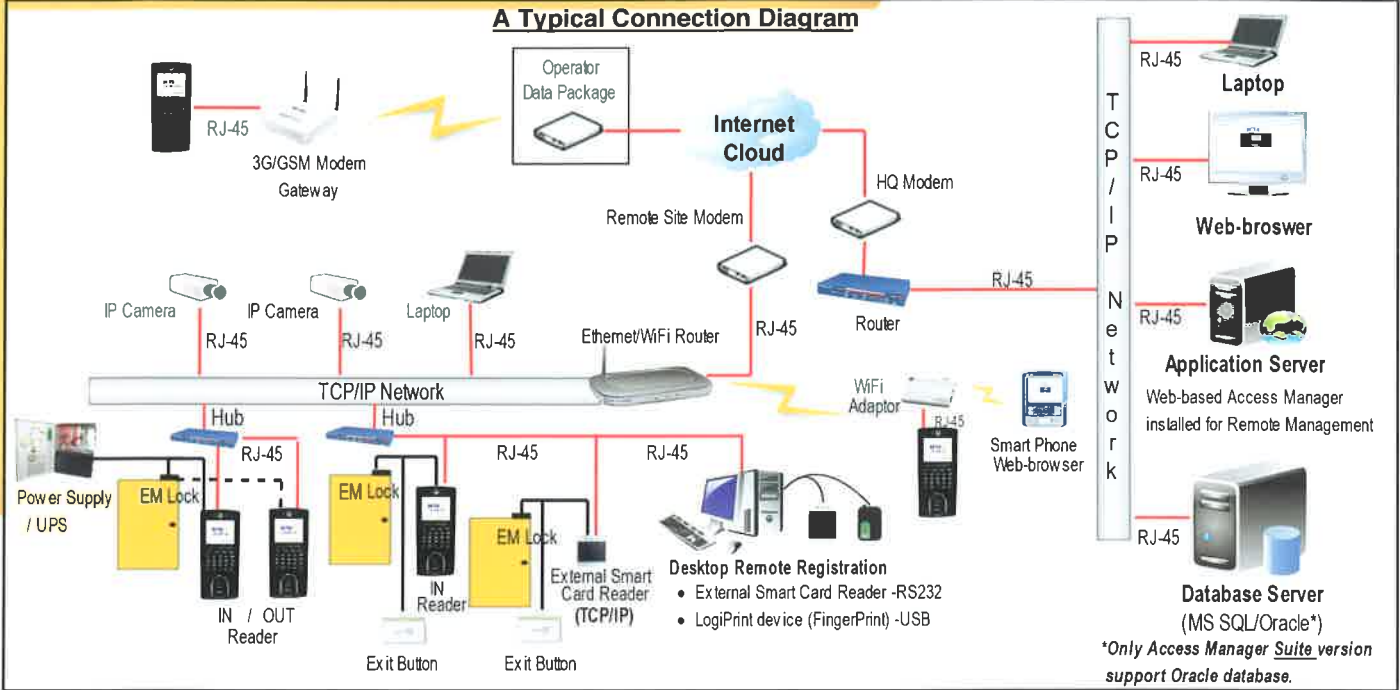
FC CE SAS IEC6095  
IP65(Water Proof& Impact Resistant)

FROST & SULLIVAN  
"2010 World Biometrics Vertical Market Penetration Leadership Award "



# Access Control / Time Attendance

**A Typical Connection Diagram**



## Standard Features

Model:	Fingerprint only	Smartcard only	Fingerprint + Smartcard	Keypad + CMOS camera
Fingerprint enrollment	✓	✗	✓	✗
Built-in smartcard reader	✗	✓	✓	✗
Built-in web and database server	✓	✓	✓	✓
Number of users	1k/3k/5k 10k/15k/20k	1k/3k/5k 10k/15k/30k	1k/3k/5k 10k/15k/20k	1k/3k/5k 10k/15k/30k
Max. transaction records stored	75000 log for 1k, 3k, 5k user model 10000 log for 10k, 15k, 20k, 30k user model			
Static IP address assignment	✓	✓	✓	✓
Dynamic IP address assignment	✓	✓	✓	✓
Power Over Ethernet (Built-in)	Available on certain models only			
Resolution of LCD	2.8" 64K/256K colour TFT screen 320 x 240 pixel resolution			
Non-volatile memory	256MB			
Computer OS support (with Internet browser)	Mac OS Windows 95/98/NT/2000/XP/Vista/Win7 Windows Mobile Android iPhone OS Linux PC Unix Machine			
Valid characters for employee ID	0-9, A-C (max. 16 characters)			
Programmable function keys support	F1, F2, F3, F4			
Authentication time	< 1 second			
Auto-match users	1:500 (1:N) FAM model (compatible with ACTA2) 1:3000 (1:N) FLI model			

Distributed by:

Model:	Fingerprint only	Smartcard only	Fingerprint + Smartcard	Keypad + CMOS camera
Database interface support	ODBC / JDBC			
Encryption	Secure Socket Layer (SSL)			
Multi-lingual support	✓	✓	✓	✓
Network interface	100BaseT Ethernet (built-in) / SNMP support GSM/GPRS, Wi-Fi (*additional device is required)			
I/O interface	RS-232/RS-485 Wiegand 26bit output (Optional: External I/O board)			
Export Report	CSV / Text file			
Remote Control	✓	✓	✓	✓
Operation temperature	-20°C to 50°C			
Modules	CPU / Fingerprint Mifare / Legic HID Proximity HID iClass / FeliCa EM CEPAS Card (Singapore) CMOS/Video camera (Optional)		RFID card 13.56MHz ISO14443A/B ISO15693 125kHz 13.56MHz Colour LCD & keypad	
Modes of authentication	Fingerprint, Smartcard, PIN ID + Fingerprint Smartcard + Fingerprint Smartcard + PIN			
Mobile	Optional mobile battery			
Relay support	1 relay			
Safety standard/Casing	CE, FCC, IP65-fluid ingress, dust, salt, fog protection (*available on certain models only)			

Software support

ACTAtek Agent / ACTAtek Access Manager\*\*  
(Standalone) (Networkable)

\*\* ACTAtek Access Manager:

Software Requirements

Hardware Requirements (Minimum)

- Windows Server 32bit/64bit
- Microsoft SQL Server for Database Server
- SQL Server 2005 and 2008 is supported
- Microsoft .Net 3.5 runtime
- CPU: Intel Core 2 Duo 2.6GHz or higher
- Memory: 4GB
- Storage: 20 GB free
- Ethernet: 100 Base-T

(Note Access Manager -SOAP/API will be provided for 3rd party integration.)



- ID Authentication
- Security & Access Control
- Payroll
- Time Attendant
- Visitor & Contractor Management



## Unique Web- and Cloud-based Card Reader Solution

Access Control, Time Attendant, Payroll and Work Force Management

### Smart Card Technical Specifications:

Features	Technical Specification
Philips Mifare Technology	
Operating Distance	3-3.5cm
Card Memory	1 KB / 4 KB
Standards	ISO14443A/B, ISO15693
Operating Frequency	13.56 MHz
EM Technology	
Operating Distance	Up to 8cm
Standards	EM4001Compatible
Operating Frequency	125 kHz
Legic Technology	
Operating Distance:	3-3.5cm
Standards	1 KB
Operating Frequency	13.56 MHz

### External Reader Specifications:

Features	Technical Specification
Operating Interface	TCP/IP (100BaseT)
Input/Output	Door strike x 1 Door switch x1
Dimension	85x115x30mm (LxWxH)

\*HiD iClass/HiD Proximity/Sony Felica/CEPAS and other models are also available.

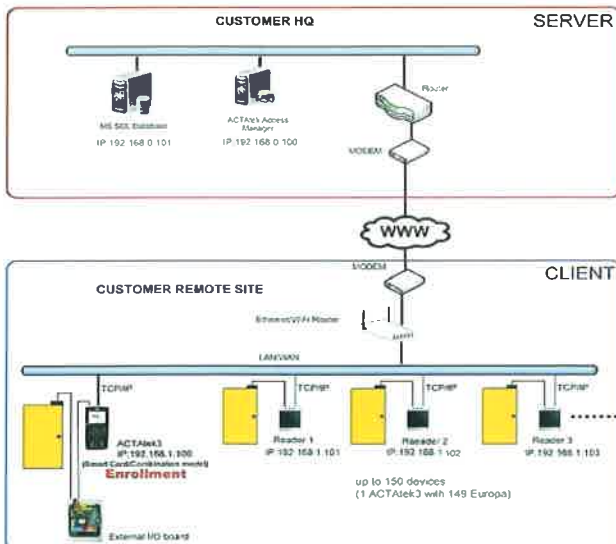


Figure: System diagram

### Cloud Application managed by Access Manager

Introducing the **NEW ACTAtek IP-based External Smart Card Reader**, the latest ACTAtek Hardware available for your ID management platform needs.

### What is it?

It is a device which is able to work effectively with Access Manager Lite/Suite, allowing you to install large-scale External Smart Card readers in ONE system. The best cost-saving solution for your smartcard-reading needs!

Also, this device can be used together with not just Access Control, but also with the Time Attendance system!

### Why ACTAtek?

ACTAtek provides a perfect hardware platform for your workforce-management applications, giving your end-customers a real-time, biometric/smartcard authentication, security based on location/time-based access control, time attendance-reporting, leave management, workflow management for visitors/contractors, shift roster scheduling and payroll. It also gives your end-user the added benefit of a robust and reliable access control and time attendance solution in one platform.



The Leading Web-Based, Biometric and RFID Smartcard Platform for Enterprise-Wide Solutions in ID Management.

- ID Authentication
- Security & Access Control
- Payroll
- Time Attendant
- Visitor & Contractor Management



## Unique Web- and Cloud-based Card Reader Solution

Access Control, Time Attendant, Payroll and Work Force Management

Cloud Application managed by Access Manager

### HiD Smart Card Technical Specifications:

Features	Technical Specification
<b>HID Proximity Technology</b>	
Operating Distance	Up to 8cm
Standards	Proximity
Operating Frequency	125 kHz
<b>HID iClass Technology</b>	
Operating Distance	3-3.5 cm
Card Memory	1 KB
Standards	iClass
Operating Frequency	13.56 MHz

### HiD External Reader Specifications:

Features	Technical Specification
Operating Interface	TCP/IP (100BaseT)
Input/Output	Door strike x 1 Door switch x1
Dimension	85x115x30mm (LxWxH)

\*Philips Mifare/Sony Felica/EM/CEPAS/Legic and other models are also available.

Introducing the **NEW ACTAtek IP-based External Smart Card Reader**, the latest ACTAtek Hardware available for your ID management platform needs.

### What is it?

It is a device which is able to work effectively with Access Manager Lite/Suite, allowing you to install large-scale External Smart Card readers in ONE system. The best cost-saving solution for your smartcard-reading needs!

Also, this device can be used together with not just Access Control, but also with the Time Attendance system!

### Why ACTAtek?

ACTAtek provides a perfect hardware platform for your workforce-management applications, giving your end-customers a real-time, biometric/smartcard authentication, security based on location/time-based access control, time attendance-reporting, leave management, workflow management for visitors/contractors, shift roster scheduling and payroll. It also gives your end-user the added benefit of a robust and reliable access control and time attendance solution in one platform.

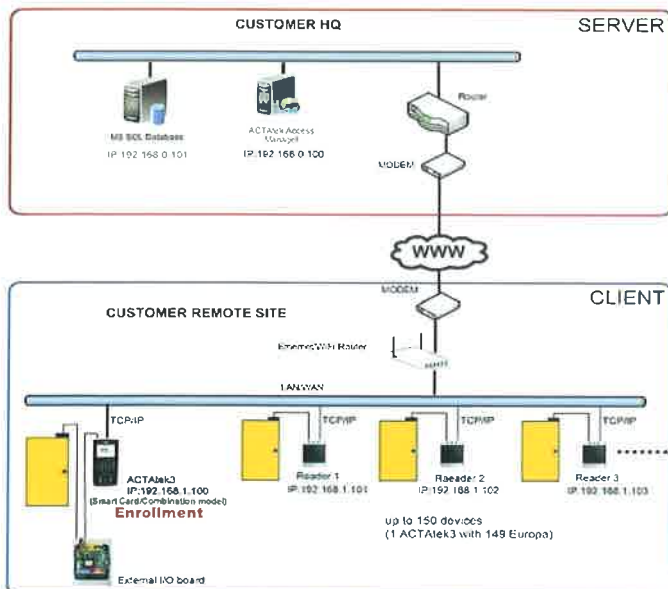


Figure: System diagram

**FROST & SULLIVAN**  
 "2010 World Biometrics Vertical Market Penetration Leadership Award"

Access Control  
Video Surveillance  
Payroll  
Time Attendant  
Workforce Management

Enterprise-wide Deployment  
Real-time Communication  
Biometric Authentication

# ACTAtek solutions make a *difference*

*The Leading Web and Cloud-based, Biometric and RFID Smartcard Platform for Enterprise-Wide Solutions in ID Management*



Trying to incorporate **biometrics technology** into your existing software? **ACTATEk's** simple and easy-to-use middleware does it all for you, reducing costs and headaches.

**ACTATEk's patent-pending ID-Video Software Suite** allows digital search and management of all videos taken, according to user IDs. Simply enter the ID, and all the video clips of that user will be available for you to observe, instantly!

**ACTATEk SMART TIME** is a full-featured enterprise-level Time and Attendance software, which incorporates both labor cost management and job rostering facilities. Why settle with only reports, when you can get more out of your time management software?

**ACTATEk's Active RFID asset, property protection and tracking solution** assigns ownership rights biometrically, with user ID's. With this in place, no one will be able to take or move any property without the rightful owner's presence!

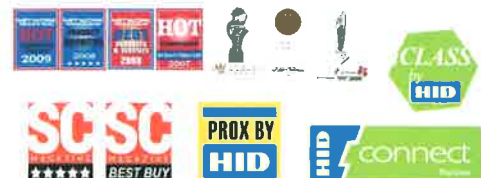
**ACTATEk Access Manager Suite** is a web-based enterprise-level management software with SSL encryption. This is the perfect incentive to reduce your system integration and back-end costs! (**Lite** version is also available, suitable for SMEs.)



ACTATEk3 Model: Smartcard / Fingerprint CMOS Camera + Keypad

FC CE SAS IEC6095  
IP65 (Water Proof & Impact Resistant)

FROST & SULLIVAN  
"2010 World Biometrics Vertical Market Penetration Leadership Award"



- ID Authentication
- Visitor & Contractor Management
- Time & Attendance
- Shift Roster & Scheduling
- Security & Access Control
- Payroll



## Mobile Battery + Mobile Kit

For ACTAtek3



With these in hand, you will be able to enjoy the functionalities of ACTAtek anytime, anywhere!

Inside the **ACTAtek Mobile Kit**, you will find the **ACTAtek** and the **Mobile Battery**, packed away safely in the **IP67-certified** casing, which protects the products from any high-impact collision, thereby ensuring a secure portable environment.

### Mobile Battery

ACTAtek Mobile Battery features a long-lasting and rechargeable design, which comes together with a power source. This allows mobile **biometric ID management** for security forces, even at remote locations, where conventional power may not be available. By connecting the ACTAtek device to our 3G/GSM modem, one can also transfer to and from the remote server. With this device in hand, you will be able to use your ACTAtek freely, whenever, wherever. In addition, the entire kit is only lunchbox-sized, which makes portability so much easier!

### Mobile Kit (with ACTAtek) Specifications:

Features	Technical Specifications
Type	Super ABS
Certificates	CE, FC, UL, IP 67 with impact resistance
Weight (with ACTAtek and battery)	1.3kg
Dimension	27cm x 22cm x 9cm



### Mobile Battery Specifications:

Features	Technical Specifications
Type	Lithium Ion
Operating Temperature	-20 to +55 Degrees Celsius
Charge	DC 12V / 1.1A
Voltage	DC 12V
Capacity	1100mAh
Charging Time	Approx. 4 Hours
Average continuous operation with ACTAtek connected	6 Hours
Weight	160g
Dimension	11cm x 6.5cm x 2cm



IP 67 CASING



**ACTAtetek**

The Leading Web-Based, Biometric and RFID Smartcard Platform for Enterprise-Wide Solutions in ID Management.

- ID Authentication
- Visitor & Contractor Management
- Time & Attendance
- Shift Roster & Scheduling
- Security & Access Control
- Payroll



## External Input/Output Board For ACTAtetek3

*The must-have for additional security that you cannot afford to lose, to be used alongside ACTAtetek3!*

Introducing the **External I/O board**, a powerful *add-on* to **ACTAtetek3**, which provides an *additional layer of security* for access control systems when the ACTAtetek3 terminals are exposed to general access.

### How does it work?

An encrypted serial link from the ACTAtetek3 unit connected to the External I/O board ensures the door release mechanism cannot be operated directly. This means that even when there is a vandal attack or the ACTAtetek3 terminal is removed with force, the External I/O board Secure Relay will maintain operation and keep the door mechanism locked against unauthorised access.

### Why ACTAtetek?

ACTAtetek provides a perfect hardware platform for your workforce-management applications, giving your end-customers a real-time, biometric/smartcard authentication, security based on location/time-based access control, time attendance-reporting, leave management, workflow management for visitors/contractors, shift roster scheduling and payroll. It also gives your end-user the added benefit of a robust and reliable access control, and time attendance solution, all in one platform.

I / O Type	Support
Door Strike	x Two
Door Switch	x Two
Door Sensor	x Two
Wiegand Out	x One (26bit)
Power supply	12 V

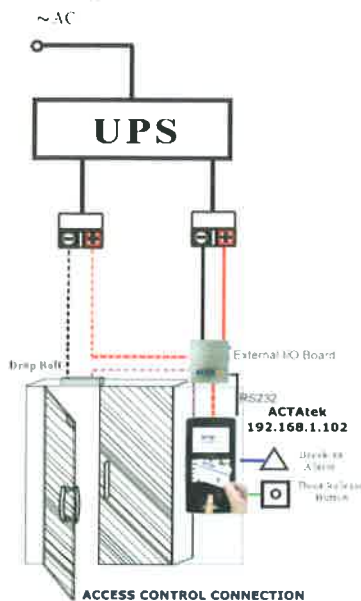


Figure: Connection diagram

FROST & SULLIVAN  
 "2010 World Biometrics Vertical Market  
 Penetration Leadership Award"

