



Maximum RFID

TLR-4000

Extra Long-Range Reader

AWID's TLR-4000 Long-Range Reader is an Ultra High Frequency (UHF) tag and card reader used in RFID applications like gate access for vehicles and physical access for people. Its electronics and antenna are integrated in a single compact enclosure. The TLR-4000 is optimally designed for Automatic Vehicle Identification (AVI) and Access Control applications such as gate control in a parking facility. It also provides identification and access for people at doorways, wheelchairs at elevators, and gurneys in hospital entrances. The TLR-4000 Reader assures security by use of AWID's proprietary encryption for communications between the reader and its UHF vehicle tags and hand-held cards.



The new ruggedized unit eliminates the need for extra protective housing required by older models. The TLR-4000 offers *price:performance* advantage over conventional long-range proximity card and active-tag RF systems. The TLR-3000 can be combined with AWID's UA-612 door access reader, allowing the

same hand-held cards to be used for both vehicle parking access and door access in building.

The TLR-4000 operates in the license-free 902-928 MHz UHF band. It combines effective UHF technology with economical passive tags and cards, programmable read repetition rate and RF field strength, and simultaneous Wiegand and RS-232 data outputs. It can be interfaced with all standard access and AVI systems. The reader is manufactured in an ISO-9001 certified facility assuring the highest quality standard. The TLR 4000 offers an impressive combination of single unit construction, small size and attractive appearance. Tag reading distance is commonly up to 25 feet and sometimes more depending on reader mounting, credential type and environment.

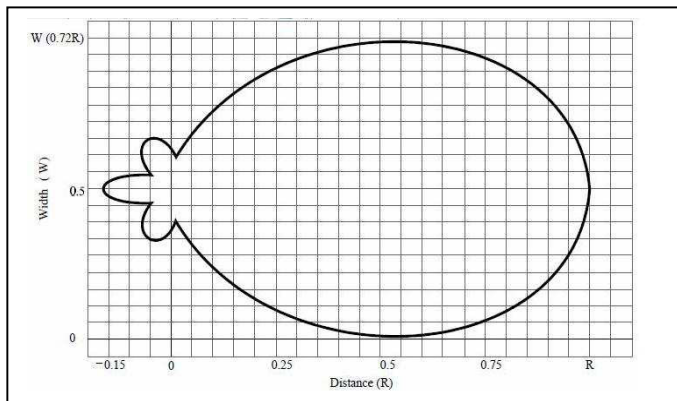
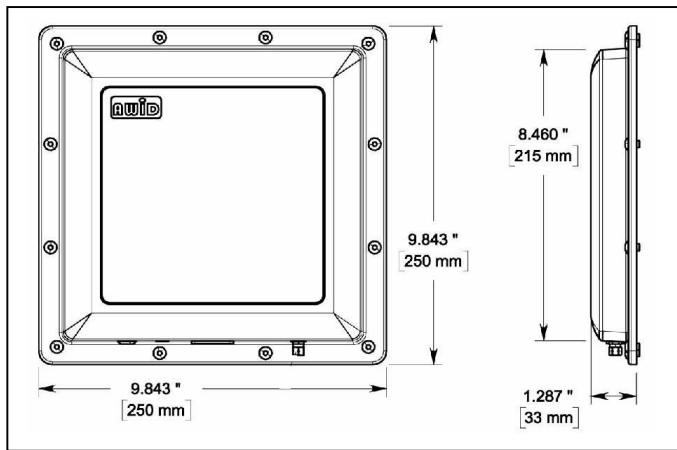


FEATURES

- **Longer reading distance ...**
Up to 25 feet between reader and tag
- **Small, attractive reader ...**
Single unit with antenna, 9.8"x9.8"x1.3"
- **Easy reader installation ...**
No reader programming, simple wiring
- **Wide selection of credentials ...**
5 vehicle tags and 2 hand-held cards
- **Unlimited tag or card life ...**
Passive, battery-free credentials
- **Data output to fit the system ...**
Selectable read repeat rate
- **No interference between readers, and no cross-reading between lanes ...**
Programmable RF field strength
- **Dual antenna units for difficult sites ...**
Optional TLR-3000HiLoMA reader set
- **RF transmission only as needed ...**
Uses vehicle sensor to arm the RF circuit
- **TLR-3000 mixes with other readers ...**
Uses same code format as prox readers
- **Easy interfacing to control systems ...**
Both Wiegand and RS-232 data output
- **Complies with certifications ...**
ISO-9001:2000; FCC Part 15; IC, NCC, RoHS
- **Ideal upgrade from old systems ...**
Hands-free car ID; cards for people ID
- **Eliminates stop-and-wait entry ...**
Cars continue moving past reader
- **No need for extra protective housing ...**
Protection class IP65 for outdoor installation
- **Easy to buy and own ...**
Installer needs no FCC registration

TLR-4000

UHF Extra Long-Range Reader



ACCESSORIES AND SUPPLIES

- **TLR Installation Kit** - A **requirement** for all installers. An effective way to demonstrate the TLR-4000 to prove its operation, to measure its performance, to locate tags and, to aim reader. A one-time purchase.
- **Power supply** - Each TLR 4000 requires a separate, independent, dedicated power. Ask AWID for specifications. AWID offers PS-123.3A-0-0.
- **Cable for power and data** - Correct cable assures good reader performance. Ask AWID for specifications.
- **Mounting devices** - Consult with supplier for poles, posts, pedestals, bollards, barriers, etc.
- **System components** - Consult with supplier for access control package, gates, vehicle sensors, etc.
- **Installation & Operation Manual** - Download Manual from AWID's Web site.

CREDENTIAL OPTIONS

- **Vehicle-mounting tags** - Tags for permanent or movable applications, inside or outside of vehicles: WindShield (*WS-UHF*), HangTag (*HT-UHF*), RearView Mirror (*RV-UHF*), MetalMount (*MT-UHF*), SunVisor (*VT-UHF*).
- **Hand-held cards** - Clamshell-type (*CS-UHF*) and graphics-type (*GR-UHF*) cards (for UA-612 also).

Ask AWID about tag selection and mounting methods.

OPERATING CHARACTERISTICS

- Reading Distance:**
Up to 25 feet (7.6 meters)
- Frequency Band:**
902 to 928 MHz
Frequency Hopping technology
- Antenna Output:**
Circular-polarized RF field
- Power Supply:**
7 to 15 VDC - regulated
(12 VDC) Rated for 2A or more
Separate, independent, dedicated
- Communications Protocol:**
Wiegand and RS-232, simultaneous
- Code Formats:**
Determined by AWID's tags & cards
programmed with 26 bits to 50 bits

- Cables:**
Power - 2 conductors, 18 gauge
Data - 3 conductors, 22 gauge
Stranded, color-coded, shielded
Up to 500 feet long
- Field-programmable Features:**
Read repetition rate; RF power level

PHYSICAL CHARACTERISTICS

- Dimensions:**
9.8 x 9.8 x 1.3" (25 x 25 x 3.3 cm)
- Weight:**
38.4 oz (1.09 kg)
- Material (Color):**
ABS enclosure (White); aluminum back-plate
- Cable (integrated with Reader):**
10 conductors, 32 inches long
Overall shielded, plastic sheathed
- Mounting (supplied by installer):**
Pan-and-tilt adjustment for aiming

ENVIRONMENT

- Operating Temperature:**
-35°C to +65°C (-31°F to +150°F)
- Operating Humidity:**
0% to 95% non-condensing
- Protection Class:**
IP65 Weatherproof
- Avoiding Interference:**
Optimize reader performance by avoiding sources of RF - fluorescent and other arc lighting, UHF transmitters, other readers.

CERTIFICATION

ISO-9001:2000; FCC Part 15; IC; NCC, RoHS

AWID ASIA

AWID ASIA CO., LTD.
No.16-1 South 2nd RD., Tanzi Dist.,
Taichung City 42670, Taiwan (R.O.C.)
R.O.C.

Tel: +886 4 2531-8685
Fax: +886 4 2533-9429
Web: <http://www.awidasia.com>