

Single Energy X-ray Inspection System

ZKX6550A



Highlights

- Costs-effective
- Pseudo-color scanning image
- Innovative fingerprint identification
- Widely usable for carry-on baggage

Standard

- Fingerprint console board
- Console desk

Optional

- Bi-directional scanning
- Auto-start mode
- Video surveillance system
- Face recognition
- Gaze function
- Rat expelling function

Introduction

ZKX6550A is a single energy X-ray screening system that provides a highly economical visual inspection solution for carry-on luggage.

ZKX6550A uses reliable high quality X-ray generator. With the superb image algorithm, ZKX6550A could offer clear scanning image, which allows operators to identify potential threat items visually.

ZKX6550A has innovative biometric identify function for operators, improving the security of system and preventing operator from forgetting password.

With ergonomic modern design, ZKX6550A could help operators to identify suspicious items fast and accurately.

Specifications

Tunnel Size	W655mm × H505mm
Speed	0.20 m/s
Height of Transmission Belt	700 mm
Maximum Load	≤180 kg (Adequate distribution)
Wire Resolution	38AWG
Space Definition	Horizontal Φ1.0mm \ Vertical Φ2.0mm
Penetrate Definition	34 AWG
Penetration	10mm steel board
Monitor	21.5 inch LED
System Function	High density alert, Explosive/ Drug auxiliary detect, TIP, Luggage counter, date/time display, User management, Training.
Film Safety	ASA/ISO1600 standard of film safety

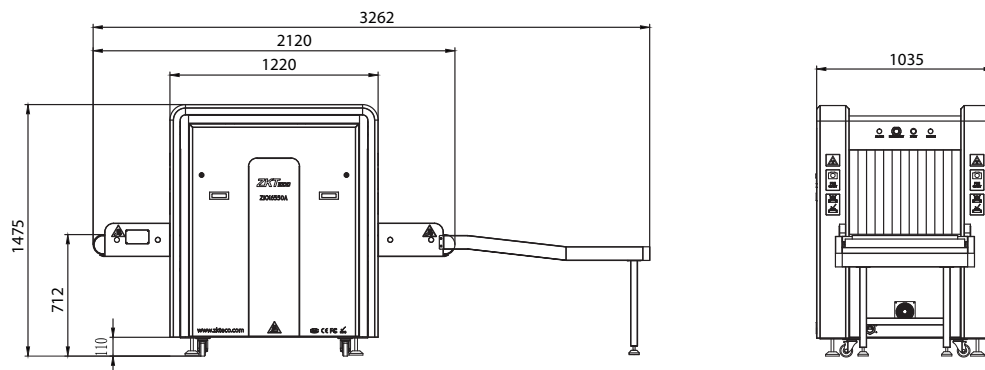
X-ray System

Tube Voltage	100KV
Cooling	Seal oil cooling/ 100%
Single Inspection Dosage Rate	≤1.0 μ Gy
Radiation Leak Dosage	0.1 μ Gy/h (5cm from the surface)

Installation Specification

Package Size	L2240mm × W1170mm × H1755mm
Console Desk Size	L830mm × W800mm × H1330mm
Package Weight	640KG+100KG (Console desk)
Power Consumption	1 kVA
Noise	53.8 dB (A)

Dimension



More details

ZKTECO CO.,LTD.
www.zkteco.com
 E-mail: sales@zkteco.com

© Copyright 2017. ZKTECO CO., LTD. ZKTECO Logo is a registered trademark of ZKTECO CO., LTD. or a related company. All other products and company names mentioned are used for identification purposes only and may be the trademarks of their respective owners. All specifications are subject to change without notice. All rights reserved.

