



CL7205A

Features

- Low profile with high gain , reading distance range up to 15m
- Maximum efficiency and performance across the entire frequency band
- Seamlessly compatible with different brand RFID readers
- Widely used in parking, warehouse, forklift, production line, container yard, luggage, carousel, file cabinet, smart shelf, etc.



Specifications

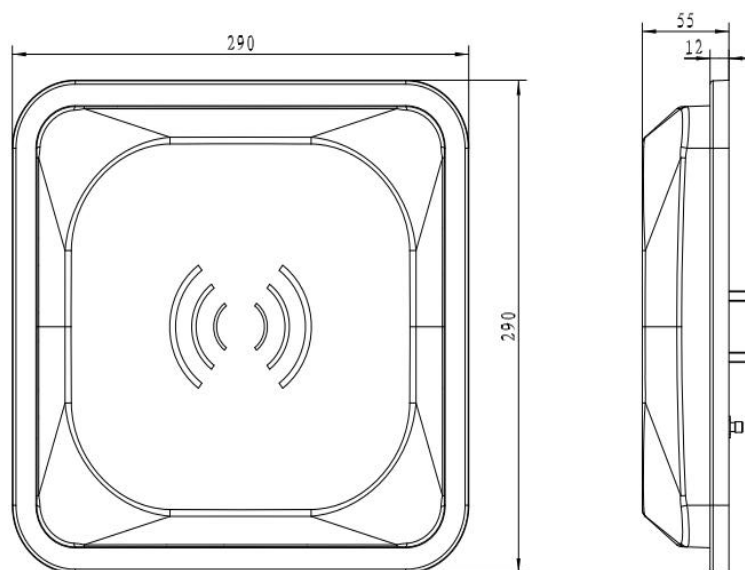
Physical / Environmental Specifications

Dimensions (L x W x D)	290mm×290mm×55mm
Weight	0.6kg
Radome Material	Aluminum +ABS
Sealing	IP66
Connector type / position:	TNC Female on the back
Mounting	Bracket
Operating Temperature	-20 - +70°C
Storage Temperature	-40 - +80°C

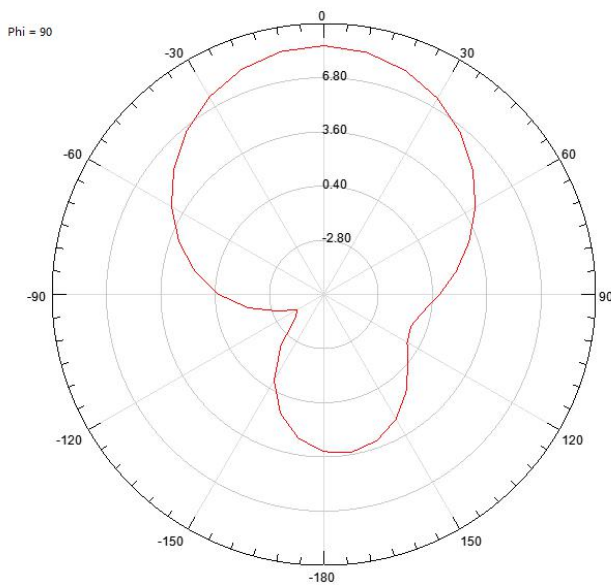
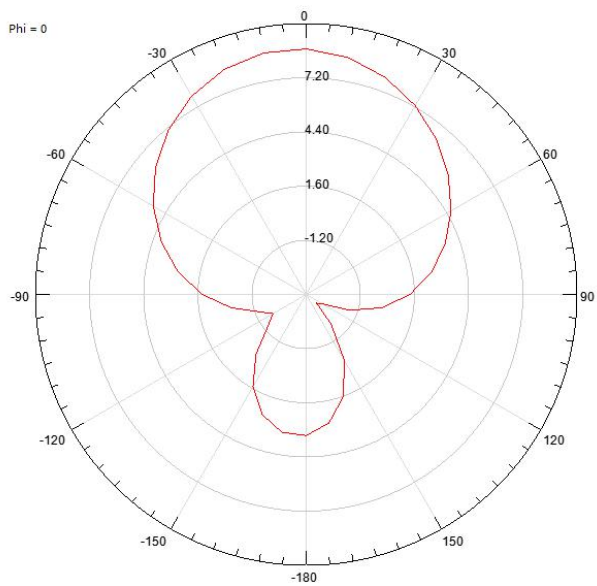
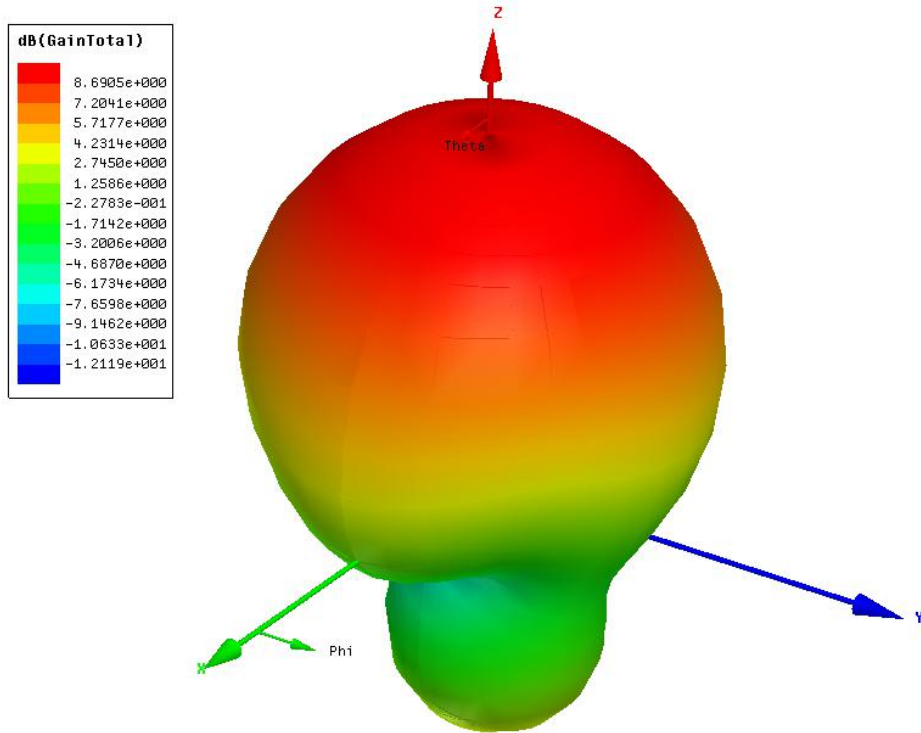
Electrical Specifications

Frequency Range	865~868MHz- 902~928MHz
Polarization	Circular
Far-Field Gain	9 dBi
Beamwidth	70° x 70°
Typical VSWR	1.3:1
Front to back ratio	20 dB
Nominal Impedance	50 (Ω)
Maximum Input Power	10W

Construction Appearance



Radiation Pattern





SHENZHEN HOPELAND TECHNOLOGIES CO., LTD

Tel: +86 755-36901035 | Email: info@hopelandrfid.com | Web: www.hopelandrfid.com