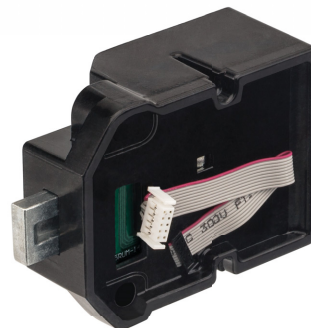


Touch RFID / Deadbolt

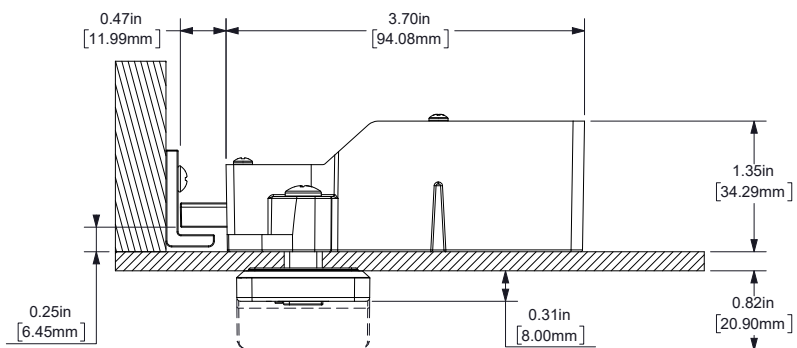
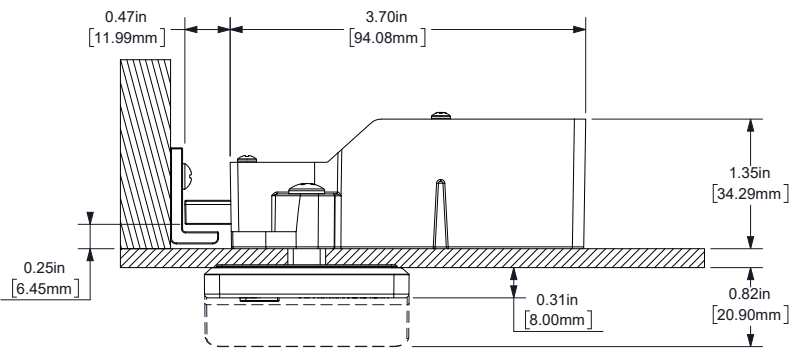
Aspire with a deadbolt locking mechanism operates in shared or assigned use functionality to secure storage units in either open or private work environments.

- Touch RFID operation
- RFID standards - iClass and Mifare (13.56 MHz)
ISO 14443A • ISO 14443B • ISO 15693
- Manage with electronic keys or mobile app
- Dual functionality - shared or assigned use
- Management override and power bypass
- All metal housing
- Brushed nickel or black finish
- Slim 5/16" (8mm) profile
- 1/2" (12mm) motorized deadbolt
- Non-handed
- Standard, vertical, or horizontal body style
- With or without pull handle
- Designed for new or retrofit installations
- Adapts to multiple door thickness
- Visual and audible indicators
- Customizable settings including auto unlock
- Audit trail

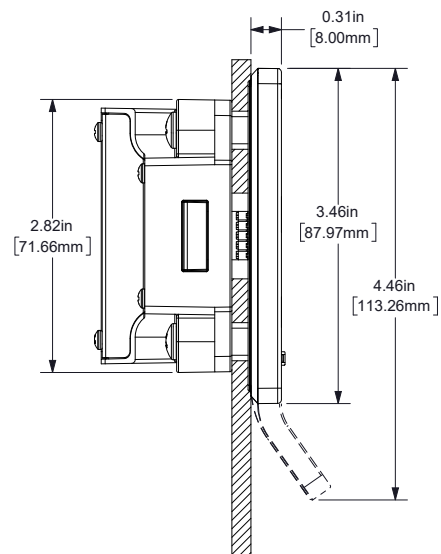
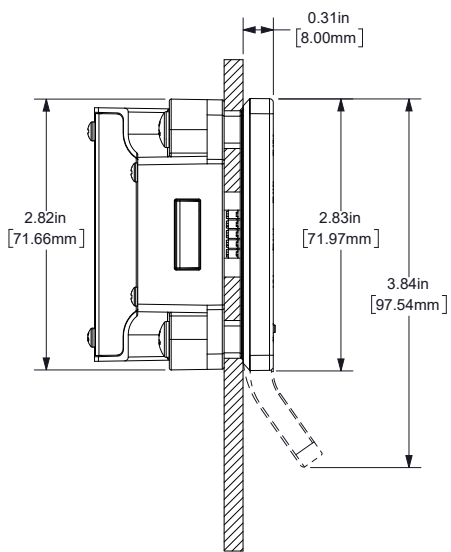


- IP55 rated
- ADA compliant
- Up to 5 years battery life
- Powered by 4 premium AA batteries
- 2 year warranty
- Snap-lock cable connector (patented)

Top View



Side View



Front View

