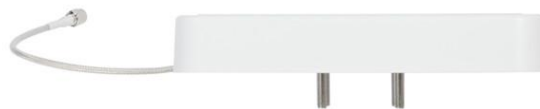




CL7205B

Features

- Low profile with high gain, reading distance range up to 8m
- Maximum efficiency and performance across the entire frequency band
- Seamlessly compatible with different brand RFID readers
- Widely used in parking, warehouse, forklift, production line, container yard, luggage, carousel, file cabinet, smart shelf, etc.



Specifications

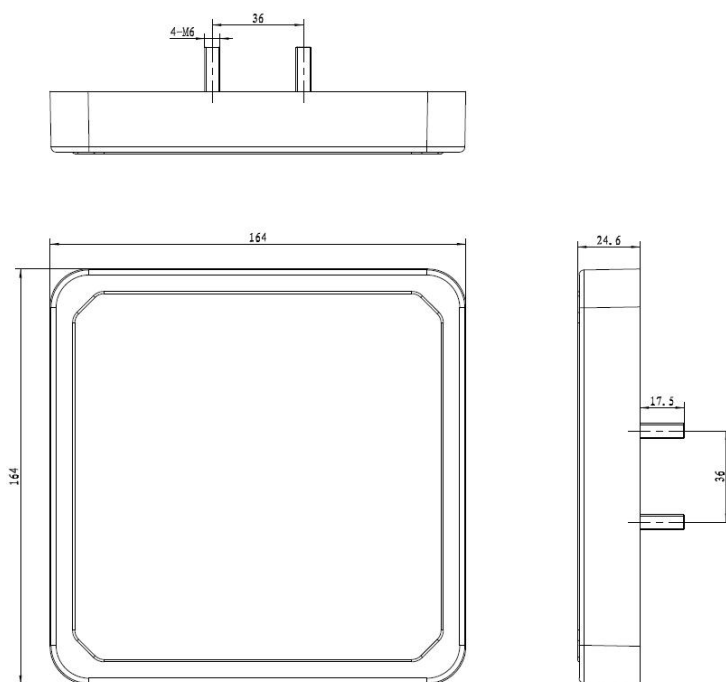
Physical / Environmental Specifications

Dimensions (L x W x D)	164mm×164mm×24.6mm
Weight	0.3kg
Radome Material	Aluminum +ABS
Sealing	IP66
Connector type / position:	SMA male side fly lead
Mounting	Bracket
Operating Temperature	-20 - +70°C
Storage Temperature	-40 - +80°C

Electrical Specifications

Frequency Range	840MHz ~ 960MHz
Polarization	Circular
Far-Field Gain	6 dBi
Beamwidth	70° x 70°
Typical VSWR	1.5 : 1
Nominal Impedance	50 (Ω)
Maximum Input Power	10W

Construction Appearance



Radiation Pattern

