



CL7205G

Features

- Low profile with high gain, reading distance range up to 15m
- Maximum efficiency and performance across the entire frequency band
- Seamlessly compatible with different brand RFID readers
- Widely used in parking, warehouse, forklift, production line, container yard, luggage, carousel, file cabinet, smart shelf, etc.



Specifications

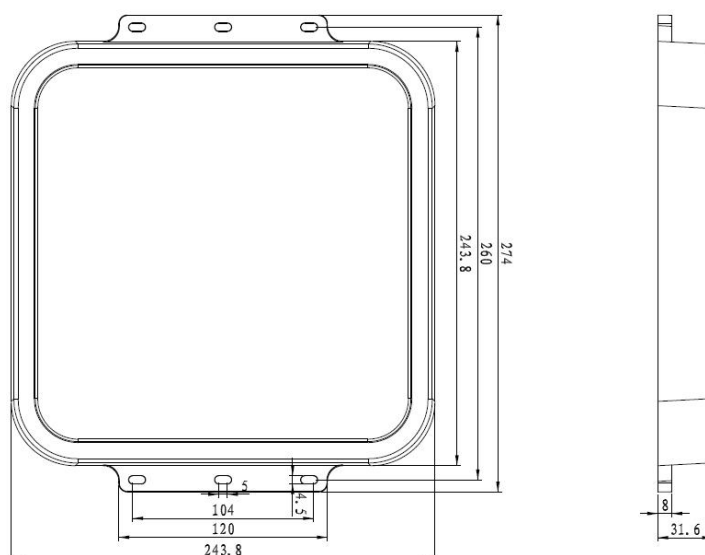
Physical / Environmental Specifications

| | |
|----------------------------|------------------------|
| Dimensions (L x W x D) | 274mm×243.8mm×31.6mm |
| Weight | 0.6KG |
| Radome Material | Aluminum +ABS |
| Sealing | IP54 |
| Connector type / position: | SMA male side fly lead |
| Mounting | Flush |
| Operating Temperature | -30 - +80°C |
| Storage Temperature | -40 - +100°C |

Electrical Specifications

| | |
|---------------------|---|
| Frequency Range | 840MHz ~ 960MHz |
| Polarization | Circular |
| Far-Field Gain | 9 dBi |
| Typical VSWR | VSWR \leq 1.3 (860MHz~940MHz); VSWR \leq 1.5 (840MHz~860MHz) |
| Nominal Impedance | 50 (Ω) |
| Maximum Input Power | 10W |

Construction Appearance



Radiation Pattern

