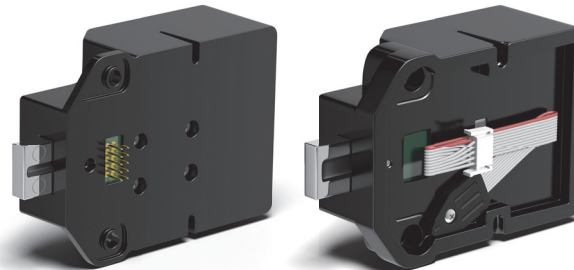
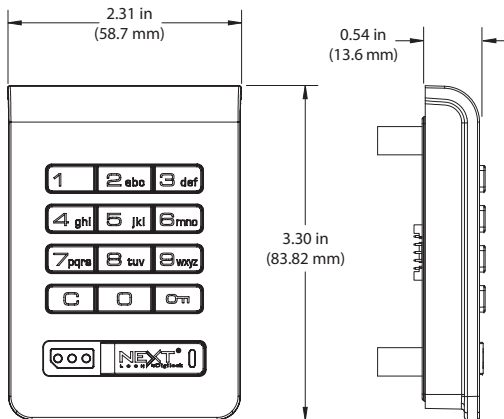
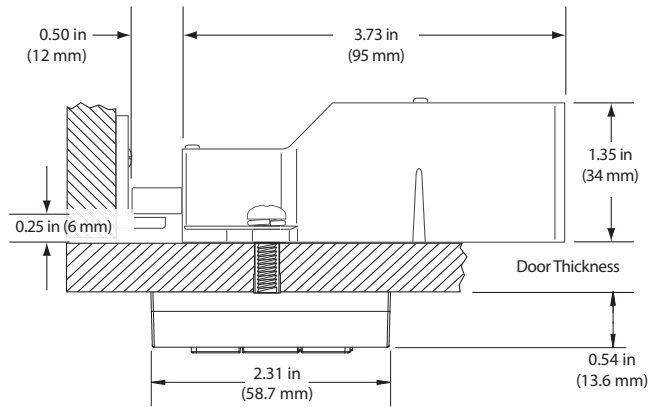


- Keypad operation
- 1/2" (12 mm) motorized deadbolt locking mechanism
- Key or code management
- Dual functionality - shared or assigned
- All metal housing with integrated pull handle
- Brushed nickel or brass finish
- Surface mount
- Designed for new or retrofit installations
- Non-handed
- Adapts to multiple door thickness
- Visual & audible indicators

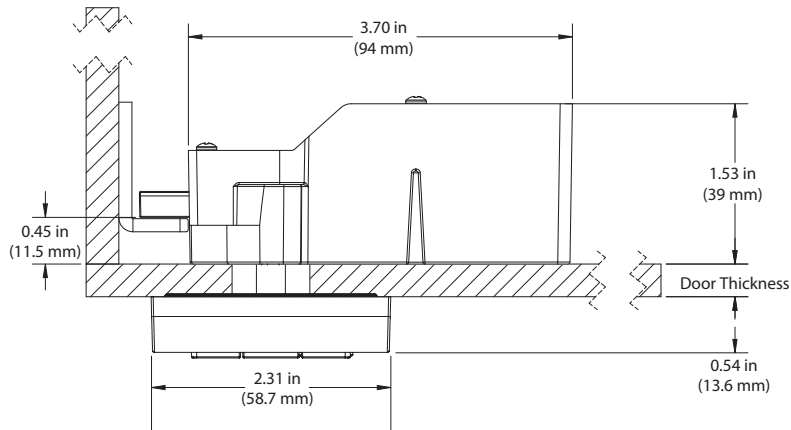


- IP55 rated for moisture and dust protection
- Patented snap-lock cable or pin connector
- Powered by 4 premium AA batteries
- 3-5 year battery life
- Up to 5 year warranty

Top View

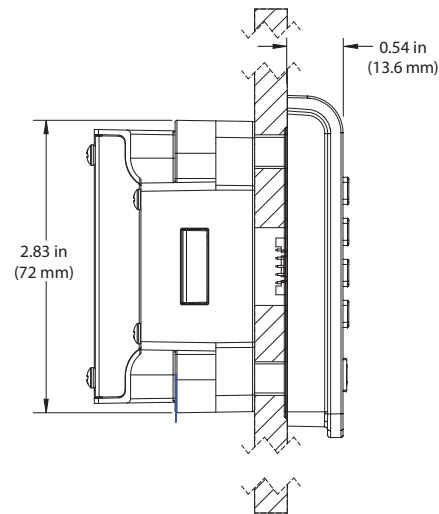
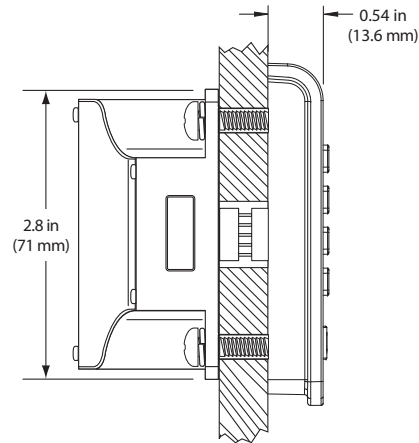


Shown with a pin-connected rear unit.

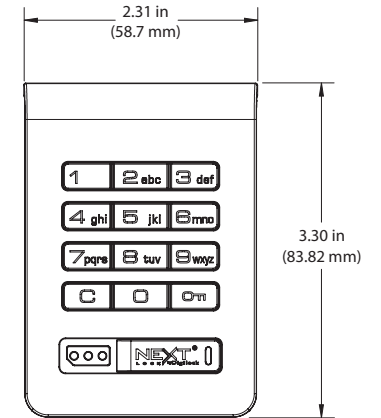


Shown with a cable-connected rear unit.

Side View



Front View



Standard Keypad locks with a pull handle and operated with a User Key are fully compliant with the Americans with Disabilities Act (ADA) guidelines set by the U.S. Access Board.

