



NEXT[®]
LOCK by Digilock[®]

AXIS[™]
by Digilock[®]
Installation Guide



Before Lock Installation 3

Surface Mount Installation

For door thickness measuring between .01" - .91" (0.2 mm - 23 mm) 4
 Required Components 4
 Installation 5

Door Preparation

Strike Plate Installation
 Required Components 7
 Installation 8

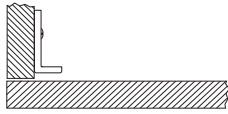
Door Mounting Holes Drill Instructions and Template
 Drill Instructions 9
 Template for Standard & Vertical Body 10

Metal Door Preparation
 Compatibility Guide 11
 Removal of 3-hole Lock Plug 12
 Removal of Padlock Hasp 13

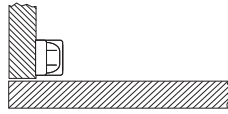
Before Lock Installation

The door must be prepared for lock installation.

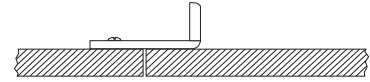
1. **Strike Plate** A strike plate must be installed.



Angled Strike Plate

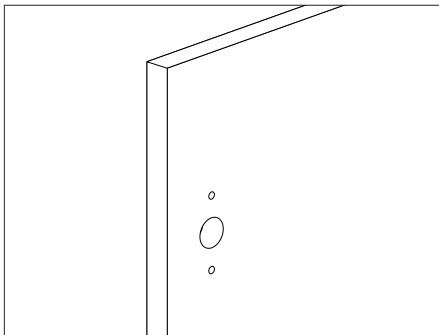


Security Strike Plate



Double Door Strike Plate

2. **Door Mounting Holes** The door must have door mounting holes.

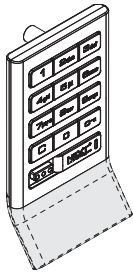


Surface Mount Installation

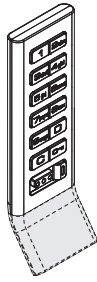
For door thickness measuring between .01" - .91" (0.2 mm - 23 mm)

Required Components

1 - Front Unit



Standard Keypad
Standard Body



Standard Keypad
Vertical Body

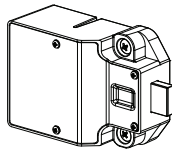


Touch RFID
Standard Body

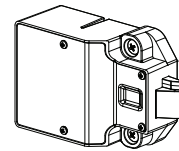


Touch RFID
Vertical Body

1 - Rear Unit

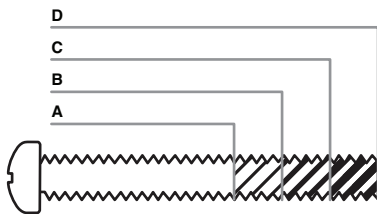


Deadbolt



Deadlatch

2 - Phillips Head Screws



Screw Size	Length	Door Thickness	
		Min	Max
A	1" (25.400 mm)	.01" (.2 mm)	.16" (4 mm)
B	1 1/4" (31.750 mm)	.16" (4 mm)	.43" (11 mm)
C	1 1/2" (38.100 mm)	.43" (11 mm)	.67" (17 mm)
D	1 3/4" (44.450 mm)	.67" (17 mm)	.91" (23 mm)

2 - Split Lock Washers



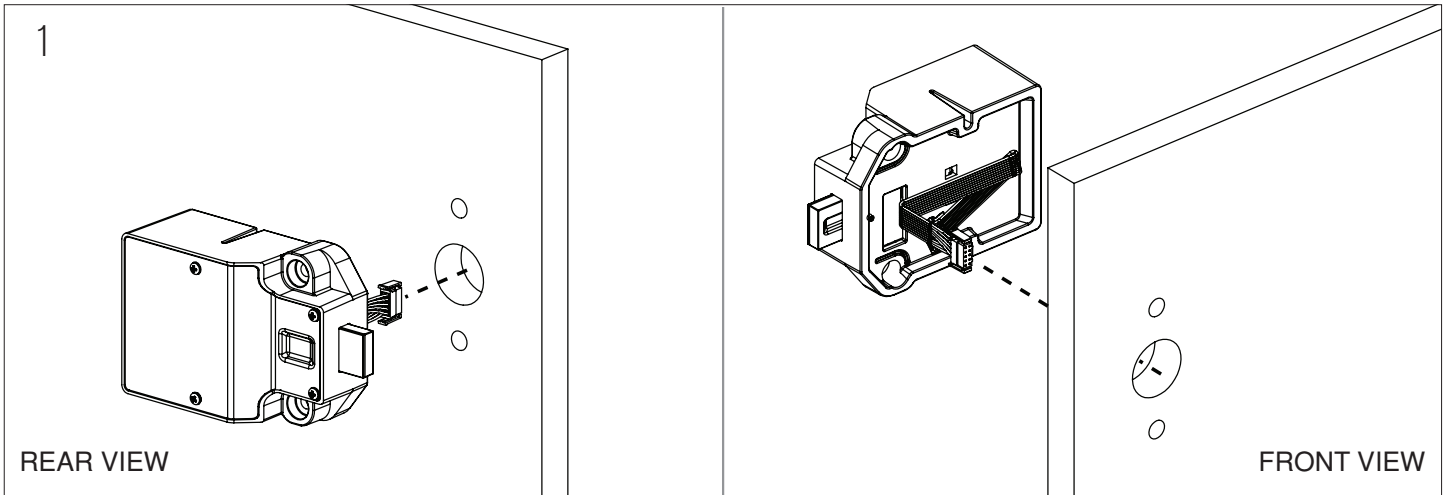
1* - Phillips Head Screwdriver (#2)



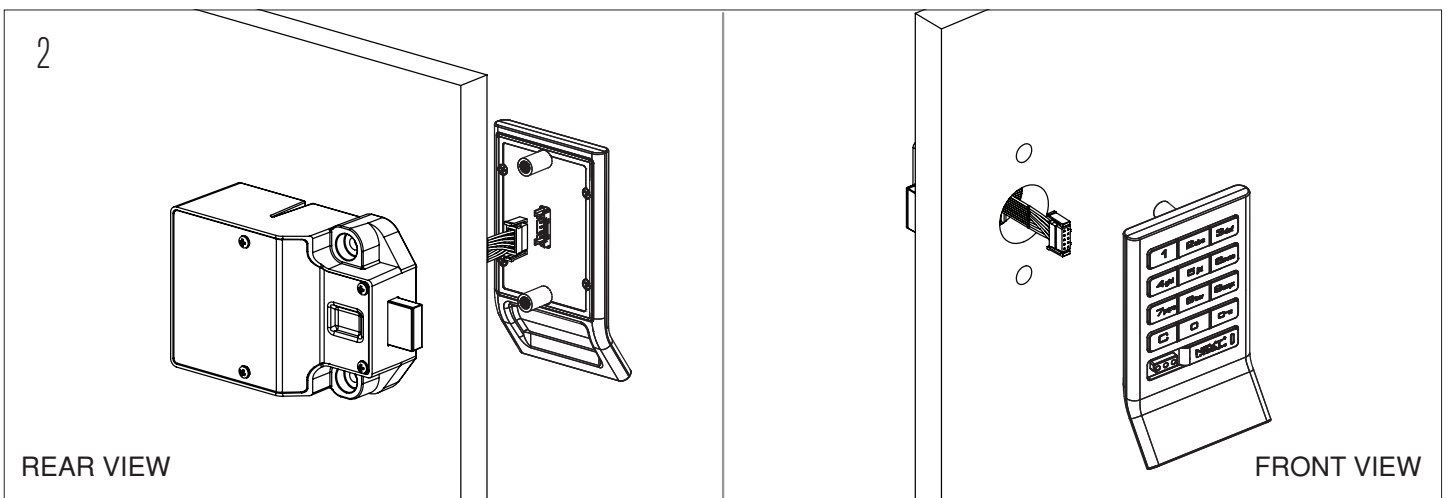
*Not included

Installation

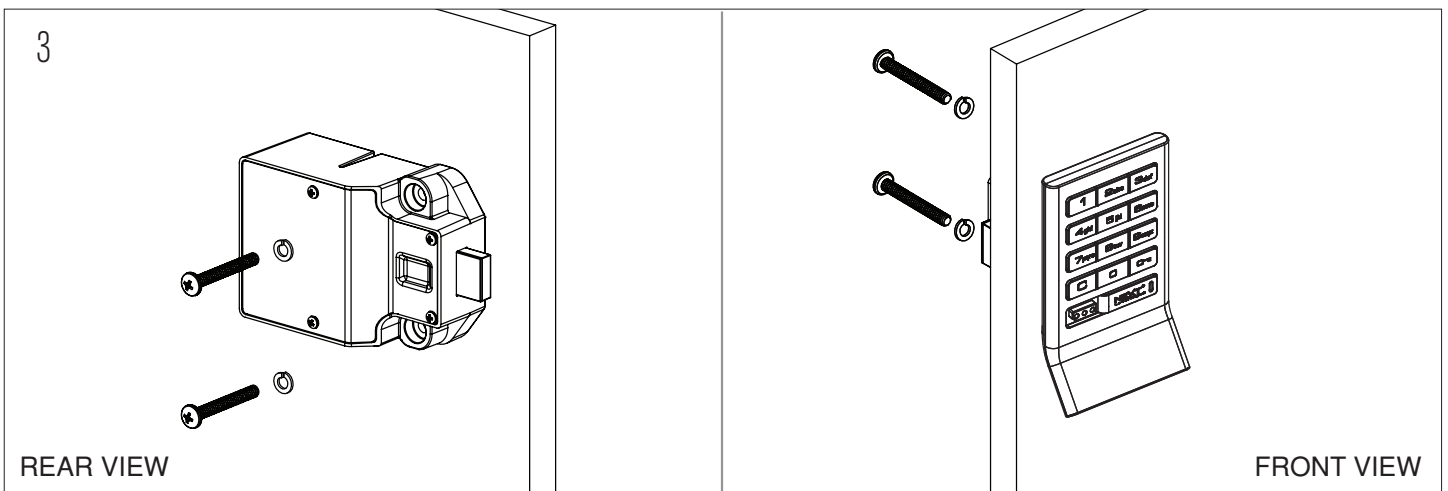
For illustration, a keypad front unit with a bolt rear unit is used.



With the rear unit behind the door, extend the cable through the door's mounting hole.

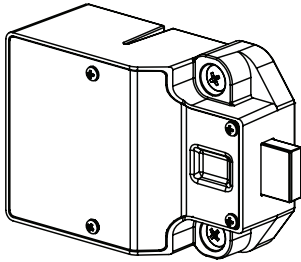


Attach the cable to the front unit. A triple beep indicates successful connection.

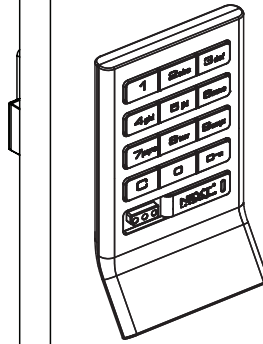


Hold the front and rear units against the door and secure with the mounting screws.

4





REAR VIEW





FRONT VIEW

Test the lock while the door is open to ensure that the bolt/latch is operating properly.


For keypad locks with deadbolt rear units:

Press   to extend the bolt.


Press   to again to retract the bolt.

For touch RFID locks with deadbolt rear units:

Touch  to extend the bolt.

Touch  again to retract the bolt.

For keypad locks with deadlatch rear units:

Press   to retract the latch.

The latch will extend automatically.

For touch RFID locks with deadlatch rear units:

Touch  to retract the latch.

The latch will extend automatically.

Repeat test with the door closed.

If ten rapid beeps are heard, the strike plate or door alignment may need adjustment to allow the lock to operate properly.

If the door is not locked when the bolt/latch is extended, the strike plate or lock position may need adjustment.

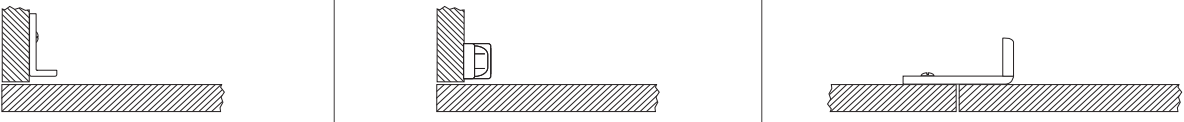
Door Preparation

Strike Plate Installation

Required Components

Strike Plate


1. A strike plate must be installed.



Angled Strike Plate Security Strike Plate Double Door Strike Plate

The diagram illustrates three types of strike plates. The first, 'Angled Strike Plate', shows a cross-section of a door edge with a plate that has a 45-degree angle on its top surface. The second, 'Security Strike Plate', shows a cross-section with a plate that has a vertical top edge and a horizontal bottom edge. The third, 'Double Door Strike Plate', shows a cross-section of a door edge with a plate that has a vertical top edge and a horizontal bottom edge, with a small vertical protrusion on the top surface.

1* - Phillips Head Screwdriver (#1)

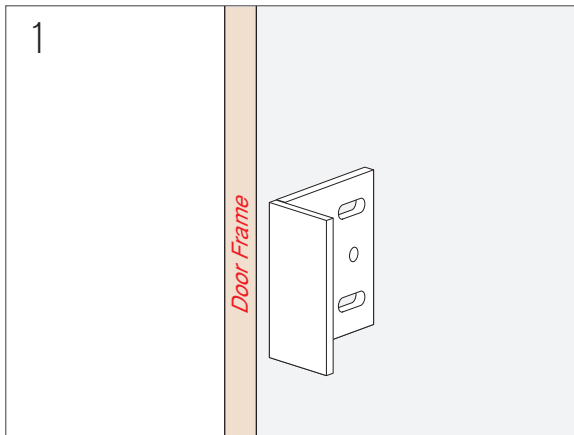


*Not included

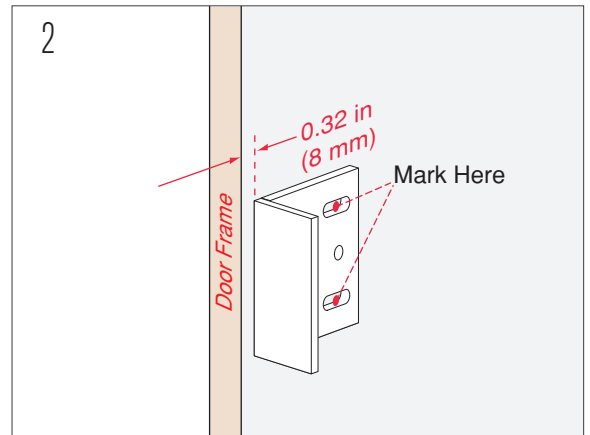
The diagram shows a top-down view of a Phillips head screwdriver tip, which is a cross-shaped bit with a central point and four tapered sides.

Do not use an electric screw gun unless it is equipped with a torque adjuster and is set to low.

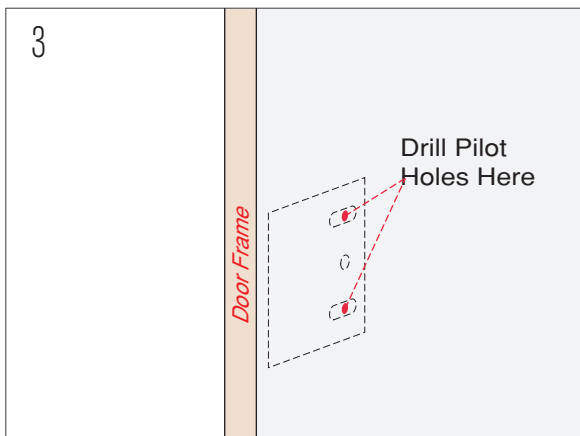
Installation



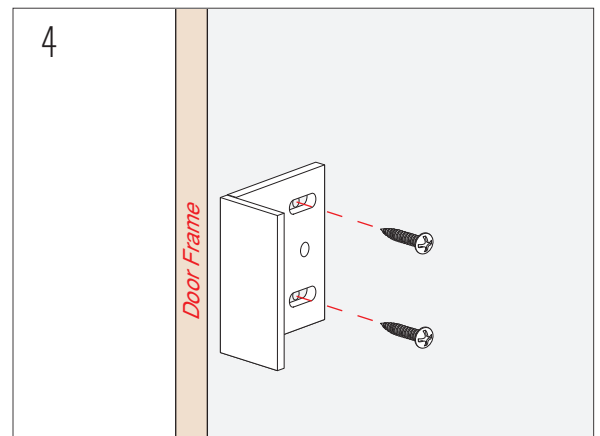
1
Position the strike plate on the door frame centering it with the center of the desired location of the door mounting holes.



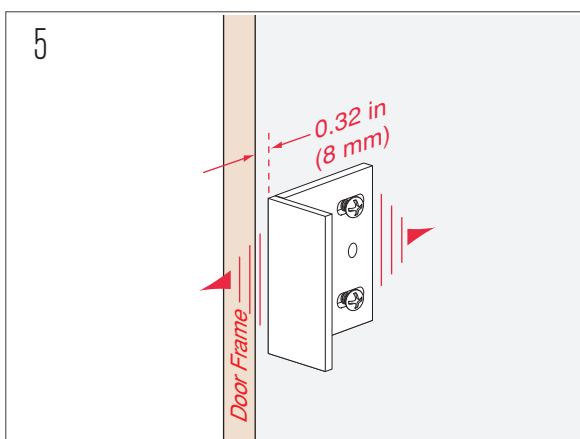
2
Allow .32" (8 mm) from door edge and mark the position of the adjustment slot holes.



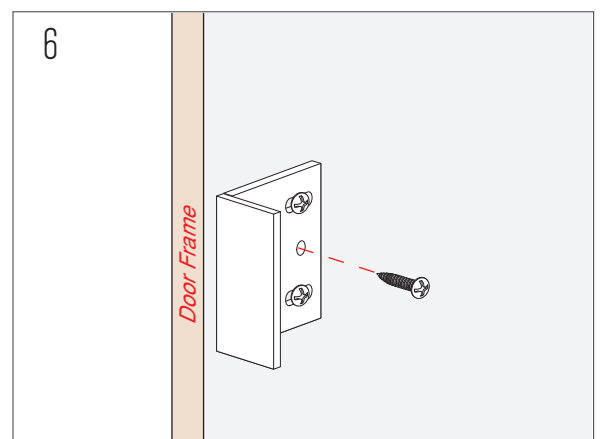
3
Drill 0.25" (6.35 mm) pilot holes using a 1/6" drill bit.



4
Position the strike plate and the self tapping screws into the adjustment slot holes. Do not tighten the screws.



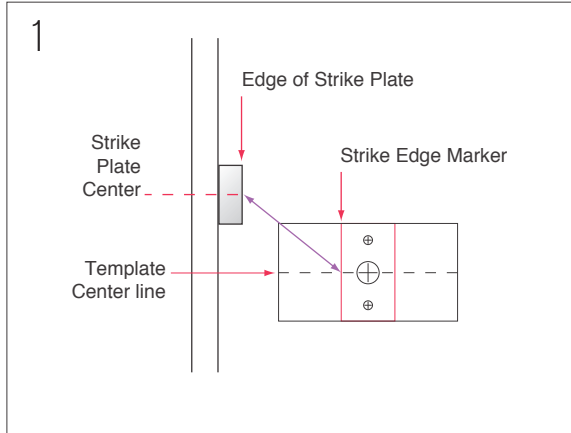
5
Adjust the strike plate to the proper position (.32" (8 mm) from the door edge) then tighten the self tapping screws.



6
Position and tighten the remaining self tapping screw into the center hole.

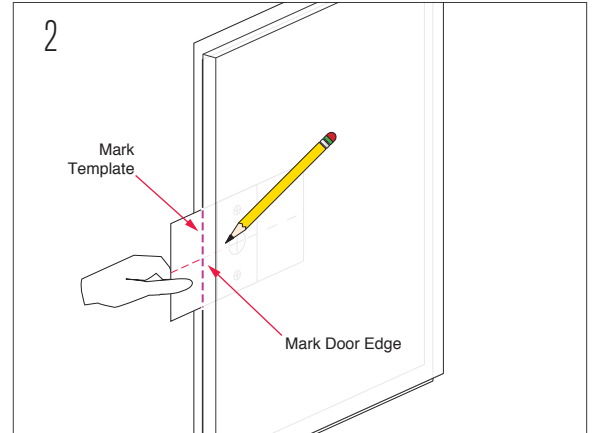
Door Mounting Holes Drill Instruction and Template

Drill Instructions

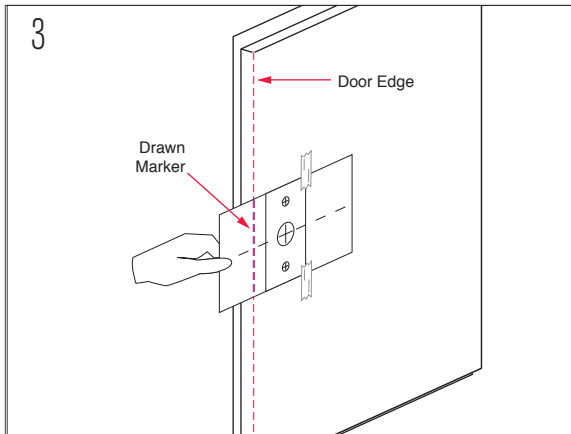


Align both the center line and strike plate edge of the installed strike plate.

Hold the template in place and close the door.



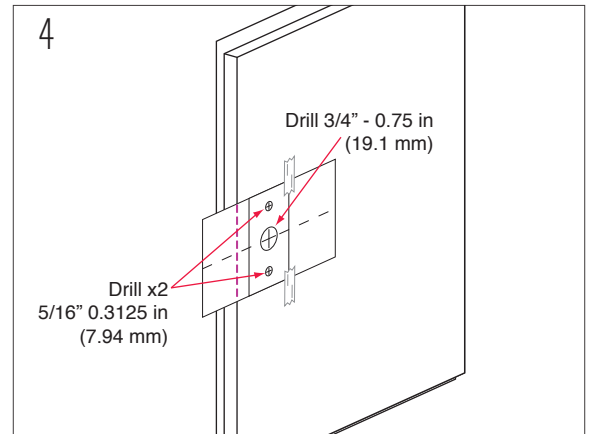
Mark the edge of the door on the template. Mark the center line of the template on the edge of the door.



Place the template on the front of the door.

Align the edge of the door with the mark on the template, and then align the center line of the template with the mark on the door.

Secure the template with removable tape.



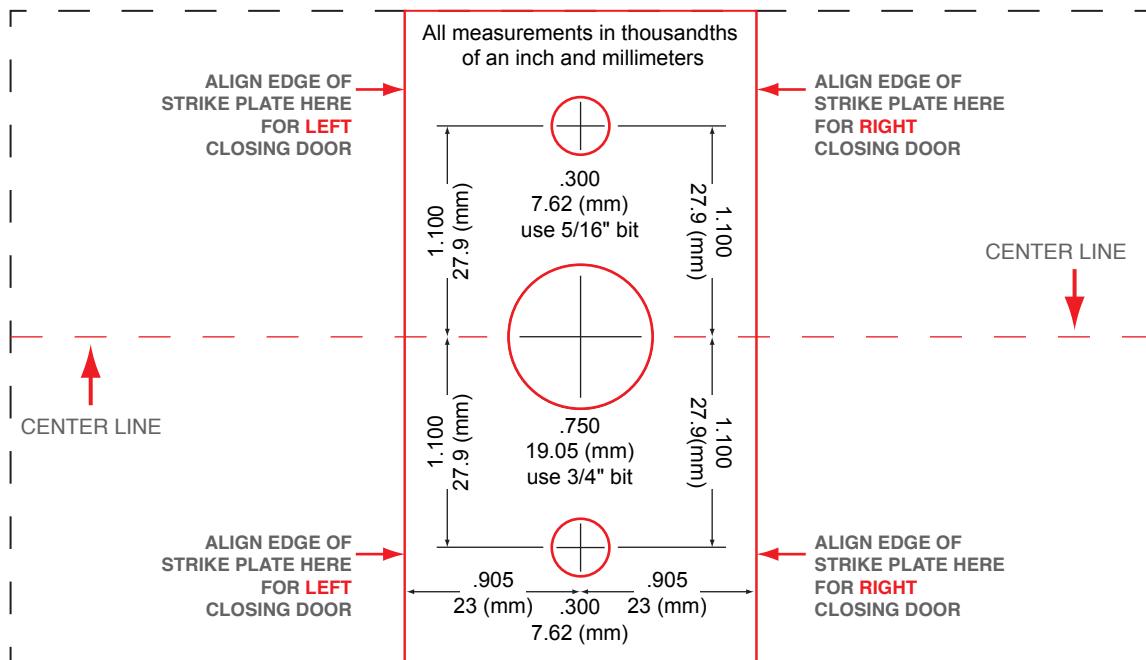
Mark the center point of the three door mounting drill holes on the front of the door.

Use the drill bits specified on the template to drill appropriately sized door mounting holes.

Template for Door Mounting Holes

Templates may not print to scale. Check all measurements before proceeding.

!! Before printing, turn off auto scaling in printer setup and print at 100%. !!

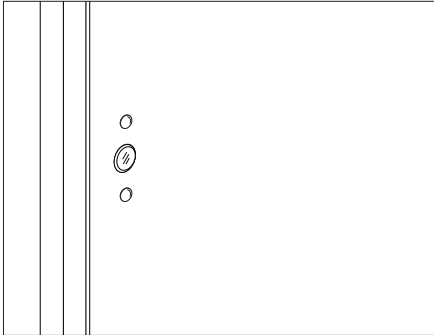


Metal Door Preparation

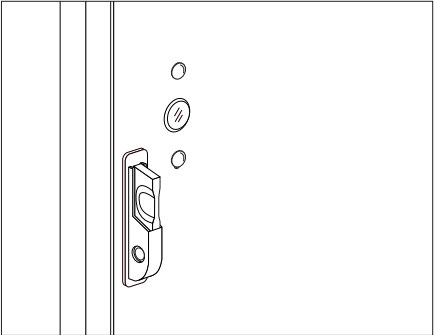
Compatibility Guide

Digilock is compatible with a majority of 3-hole configuration, latch, and handle door types. Some doors may require modification to clear obstructions.

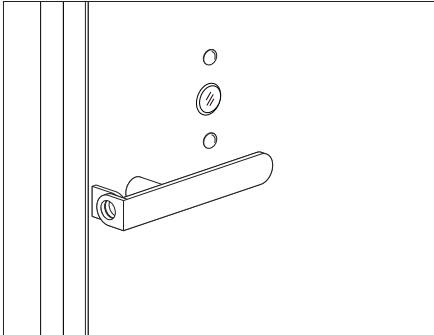
Single Point Latch



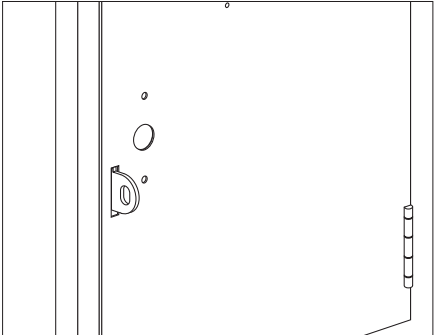
Standard Lift



Handle



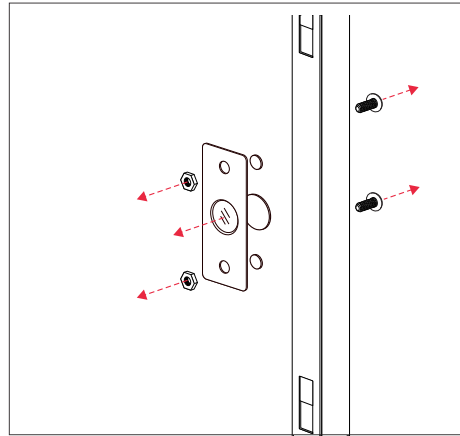
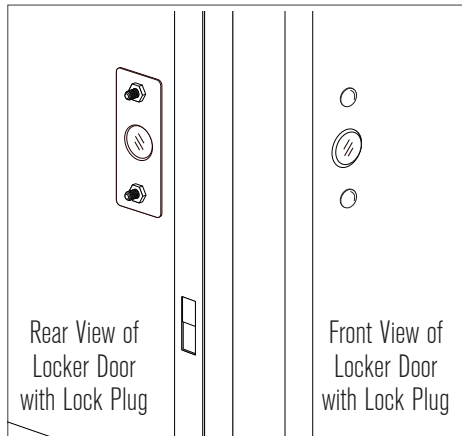
Box Locker Padlock Hasp



Removal of 3-hole Lock Plug

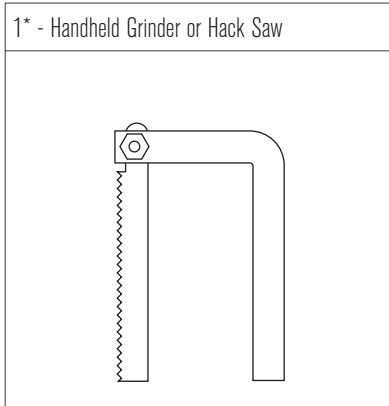
Remove any obstructions to the door mounting holes.

Example 1

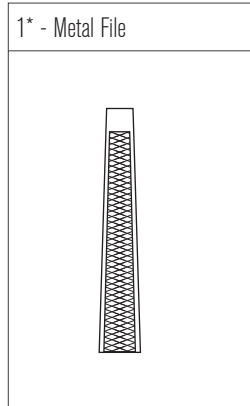


Removal of Padlock Hasp

The padlock hasp must be removed



*Not included

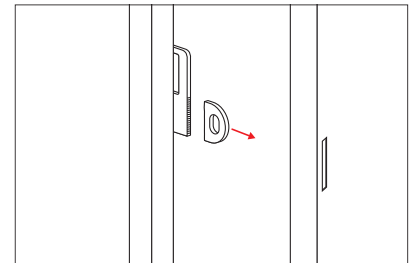
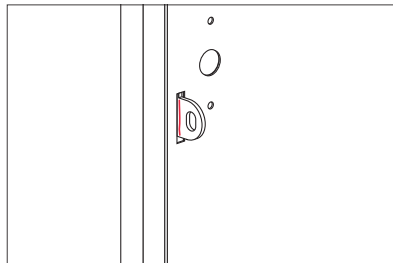
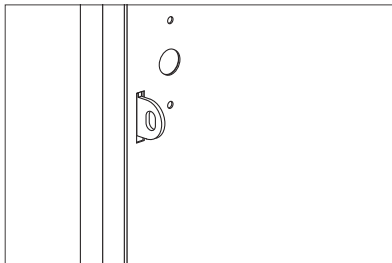


Close the door and make sure that nothing is protruding above the surface of the door.

Close the door and mark the area to cut the padlock hasp.

Open the door then cut the padlock hasp on the marked cut-line.

Example



Smooth out rough or sharp edges.

